

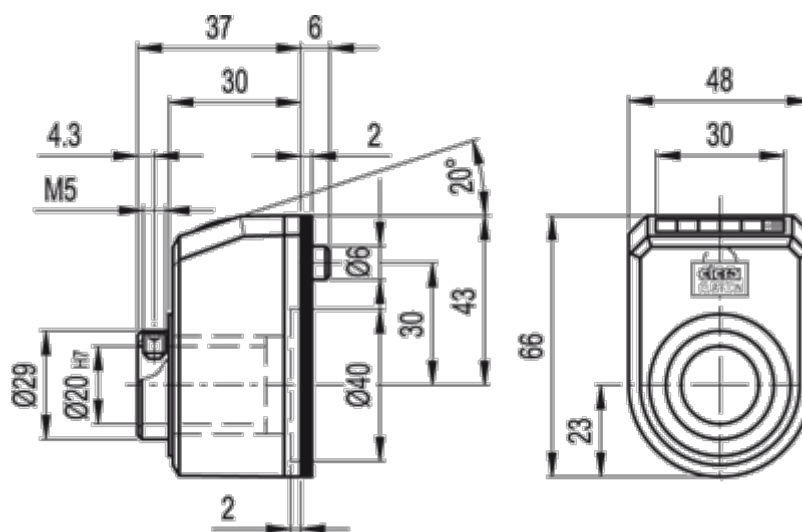
Data Sheet



Article number: 2307082132

Description: E+G Direct drive position indicator
DD52R-AN-001.00-S-C3 (Grey)

Measures



Max rpm = 250